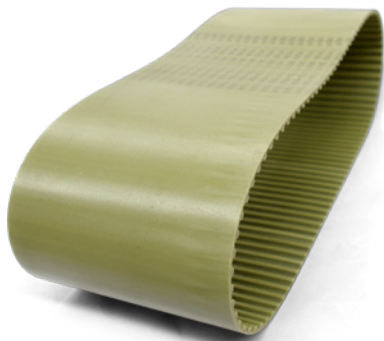
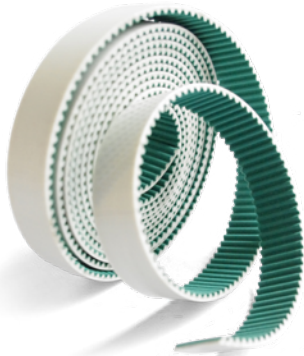


**SWITCH >
TO BETTER**



THE GLOBAL ALTERNATIVE TO PREMIUM BRANDS AT SENSIBLE PRICES



At Steigentech we believe that distributors deserve more choice. In a market dominated by a small number of corporate giants, many distributors have limited options when it comes to premium aftermarket and replacement belts at sensible prices. Steigentech is here to change the limits, as a global alternative with products that are premium in everything except price. We are trusted by distributors around the world as a high-quality supplier to both the OEM and replacement markets. Our three core principles – Price, Quality, People – are the foundation of our growing presence and relevance in the market.

**SENSIBLE PRICE.
CONSISTENT QUALITY.
PROFESSIONAL PEOPLE.**

Steigentech Product Managers are specialists, engineers and professionals with a simple message. We offer a proven alternative to premium-priced products that are often over-specified for their application. Trusted by a growing number of PT distributors, we offer sensible pricing across our wide ranges of industrial power transmission belts, light weight conveyor belts and rubber sheets and mats. Each of them is manufactured to the highest quality and consistency, worldwide.

SWITCH > TO A COMPANY DEDICATED TO DISTRIBUTORS



Our philosophy is based on long-term partnerships with professional distributors who know their market, rather than on 'quick win' pricing. Steigentech distributors enjoy consistent, reliable global supply, with competitive pricing that protects margins, high-quality products that protect reputations. We offer the reassurance of a broad and growing product portfolio, and a selective approach to network expansion. Our aim is to achieve and maintain national coverage without distributor overrepresentation, so our distributors need not compete for the same customer territories. Above all, we are a flexible, approachable and responsive company, with the ability to tailor our offer to meet local needs.

SWITCH > TO BETTER

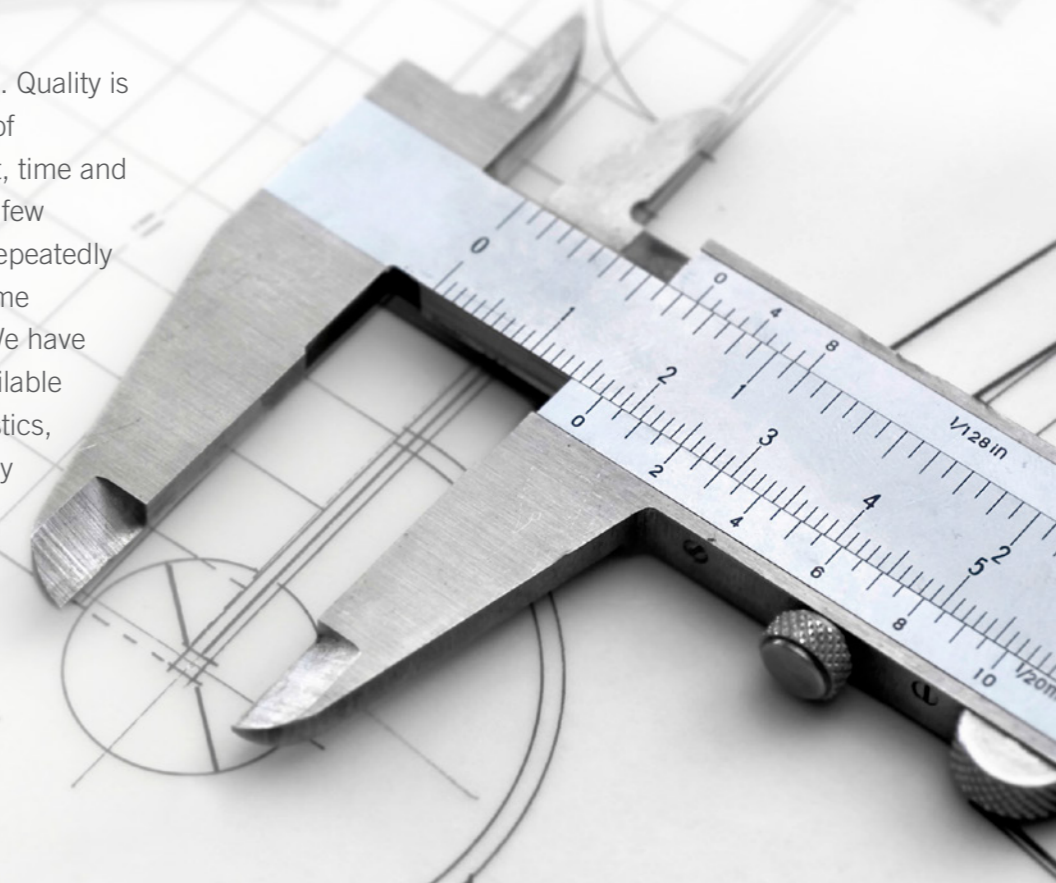
SWITCH > TO A SUPPLIER THAT ONLY MAKES WHAT YOU NEED



Sometimes innovation can be too much, especially in a market where a like-for-like replacement is the only thing the end-customer needs. Steigentech's business model is based on supplying those standard replacement belts for machines that are already in the field. No overheads for innovation, no costly extras that may never be needed. Just the right product, of the highest quality, produced to the precise specifications. For more demanding applications and OEM needs, we have ranges of products designed and manufactured to the higher specifications, which are supplied as premium in every way except price. We believe that you should never have to pay for something your customers don't need. So, if you want to be sensible, switch to Steigentech.

SWITCH > TO A GLOBAL PORTFOLIO WITH CONSISTENTLY HIGH QUALITY

Quality is not about overperformance. Quality is the ability to deliver a consistent set of specifications on the desired product, time and time again. Steigentech is one of the few companies in our industry that can repeatedly produce identical products to the same specifications and tight tolerances. We have a comprehensive portfolio that is available worldwide, with the same characteristics, performance and high quality in every country they are used.



SWITCH > TO STEIGENTECH

COMPANY HISTORY A DEPENDABLE SUPPLIER FROM THE START



Steigentech was formed in the 1980s as a family business in a specialist belt factory in China. Today we adhere to the same principles that made the business successful there and led to steady growth in both customers and sales. Our straightforward and honest approach has gained Steigentech a strong reputation for trustworthiness and value across the world. As a global company with family values, we continue to spread our message of Price, Quality and People across Europe, Asia, Africa and the Americas.

Today, our family business group generates total revenue in excess of \$400 million USD.



ROBUST LOGISTICS STABLE WORLDWIDE SUPPLY

Steigentech operates a decentralized front-office organization, with national representatives who work directly with regional customers on the ground. This helps keep us flexible and highly responsive to changing market and customer requirements. We have a reputation for reliability, based

on our consistently high-quality raw materials, our tightly controlled manufacturing, and our streamlined supply chain. The result? Customers in every country in which we operate enjoy identical-quality products, worldwide.

STREAMLINED PRODUCTION IN-HOUSE END-TO-END MANUFACTURING

Steigentech's production plant has the world's largest V-Belt factory under one roof, capable of manufacturing more than 700,000 products daily. Our refined production processes have been optimized over many years, and conform to industry standards of human resources and environmental practice. Our unique patented V-Belt production process makes best use of robotic automation, reducing the dependence and cost of labour and maximizing production consistency. Our Timing Belt production plant is also highly automated, and makes use of the most modern production tools available. And our teams of R&D engineers are trained

in the production and quality control of our full range of products.



TRUSTED PARTNER MICHELIN LICENSEE IN AUTOMOTIVE

In the automotive world, Steigentech is the exclusive global licensee of Power Transmission products for Michelin. We produce a complete range of friction belts, multi-ribbed belts, timing belts, as well as idlers/tensioners for both auxiliary and

synchronous drives designed for replacement in most types of cars. Our cross-industry expertise allows us to deliver the same high-quality products for OEMs and private labels, with the same standards of excellence expected by our distributors.

PREMIUM BELTS IN EVERY WAY EXCEPT PRICE

Steigentech produces high-quality products in four distinct families. They are designed for both the replacement and OEM markets and are suitable for a wide variety of industrial and agricultural applications. Every Steigentech belt meets RoHS and REACH requirements.

The list here is an overview only. Please consult our printed or online Catalogue to see the performance criteria of each range. We have ranges to fit all applications from standard to high performance and temperature and speed requirements.



1. Power Transmission Belts

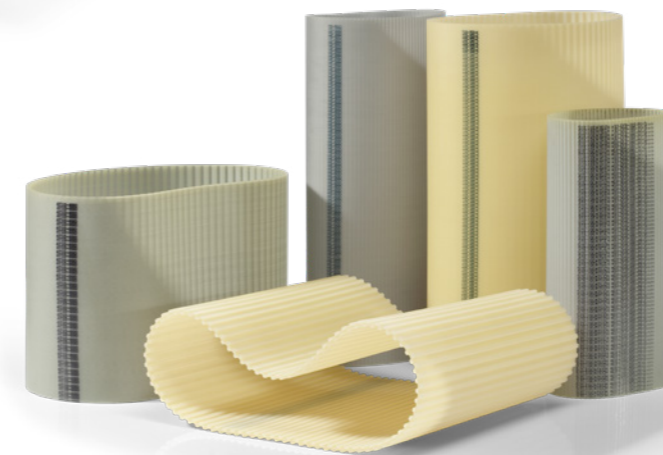
Full range of high-quality V-belts, synchronous belts and extruded thermoweldable belts, manufactured to international standards and specifications.

- **Rubber V-Belts:** Available in single and banded, including a full range of standard classical wrapped, narrow wedge, high performance narrow wedge, moulded cogged raw edge (classical / narrow), and a high performance moulded cogged raw edge narrow edge range manufactured in EPDM. Our portfolio also includes agricultural wrapped variable speed, industrial variable speed moulded CRE belts and ribbed belts.

- **Synchronous (Timing) Belts – Rubber:** Classical trapezoidal toothed belts (imperial / metric), curvilinear toothed belts (HTD, STD, RPP), single / double-sided and endless / open-ended.

- **Belts – Polyurethane:** Moulded endless (imperial and metric, classical and curvilinear teeth). Extruded open-ended linear or joined endless linear and extruded endless flexible, along with moulded ribbed V-belts.

- **Extruded Thermoweldable Belts:** Round and V-belts.



2. Light Weight Conveying Belts

PVC/PU, flat belts in 1/2/4 polyester piles. Used extensively by customers in multiple sectors: food, electronics, logistics, packaging, building materials.

3. Rubber Sheeting and Mats

Supplied in rolls in a wide range of materials including EPDM, Silicone, Viton, CR, NBR, NR, Pure Gum and SBR-and finishes.

4. PTFE Coated Glass

Supplied in sheets or rolls, products in this range offer chemical and thermal resistance, non-stick characteristics, self-lubrication and durability, depending on customer requirement.



SWITCH > TO TRUE QUALITY AND REAL VALUE



WORLDWIDE OFFICES

STEIGENTECH EUROPE

1 Rue de La Haye Le Dôme BP 12910
95731 Paris Roissy CDG Cedex
FRANCE
+33 49 19 49 43
info@steigentech.com
www.steigentech.com

STEIGENTECH POWER TRANSMISSION UK LTD

21-24 Regal Road
PE13 2RQ Wisbech - Cambridgeshire
UNITED KINGDOM
+44 1945 468602
sales@steigentech.co.uk
www.steigentech.com

STEIGENTECH IBERIA

Rua Dr. Eduardo Santos Silva, 261 B2
4200-283 Porto
PORTUGAL
+351 220 942 672
sales.iberia@steigentech.com
www.steigentech.pt

STEIGENTECH ITALY

VICENZA OFFICE

Via dell'Economia, 131
36100 Vicenza (VI)
ITALY

+39 0444 990990

BRANCH OF SCHIO

Via Lago di Lugano, 28 (Z.I.)
36015 Schio (VI)
ITALY

+39 0445 575333

info@steigentech-italy.it
www.steigentech-italy.it

STEIGENTECH GERMANY

Richtbergstrasse 9
97493 Bergtheinfeld
GERMANY
+49 9721 479899-0
info@steigentech.de
www.steigentech.de

STEIGENTECH EE S.R.O. SLOVAKIA

Pohronská 403/5
83103 Bratislava
SLOVAKIA
+421 907 441 982
lipka@steigentech.sk
www.steigentech.sk

STEIGENTECH ARGENTINA

Primera Junta 1874
7600 Mar del Plata
ARGENTINA
+54 223 495 2636
dario.taha@steigentech.com
www.steigentech.com

STEIGENTECH VIETNAM

No. 68/4, TL29 Street, Thanh Loc Wrd
District No.12, Ho Chi Minh City
VIETNAM
+84 906 260 403
long.lehuy@steigentech.com
www.steigentech.com

STEIGENTECH MIDDLE EAST

Goldcrest Executive Tower, Office N° 5,
10th Floor, 9867 Dubai
UNITED ARAB EMIRATES
+971 4 422 1345
sales@steigentech.ae
www.steigentech.com

STEIGENTECH INDIA

Plot No 11, Shed No 46/3 Phase II,
IDA Cherlapally Hyderabad, 500051 Telangana 36
INDIA
+91 77 454 534
neil.stephenson@steigentech.com
www.steigentech.com

STEIGENTECH CHINA

RM 15B5, Harvest Building, No 585 Longhuaxi Road,
Xuhui district, 200232 Shanghai
CHINA
+86 21 6469 7941
johnny.ho@steigentech.com
www.steigentech.com

STEIGENTECH HONG KONG

THE DISTRIBUTION GROUP

Suite 2611, Langham Place Office Tower,
8 Argyle Street, Mong Kok Kowloon
HONG KONG
+852 2781 3017
tdg@ebclub.org
www.steigentech.com

Your Distributor

